



LEFROY BROOKS

1 8 2 8 T R O U T M A N S T R E E T
R I D G E W O O D N E W Y O R K N Y 1 1 3 8 5 U S A
T : + 1 (7 1 8) 3 0 2 5 2 9 2 F : + 1 (7 1 8) 3 0 2 4 1 7 7

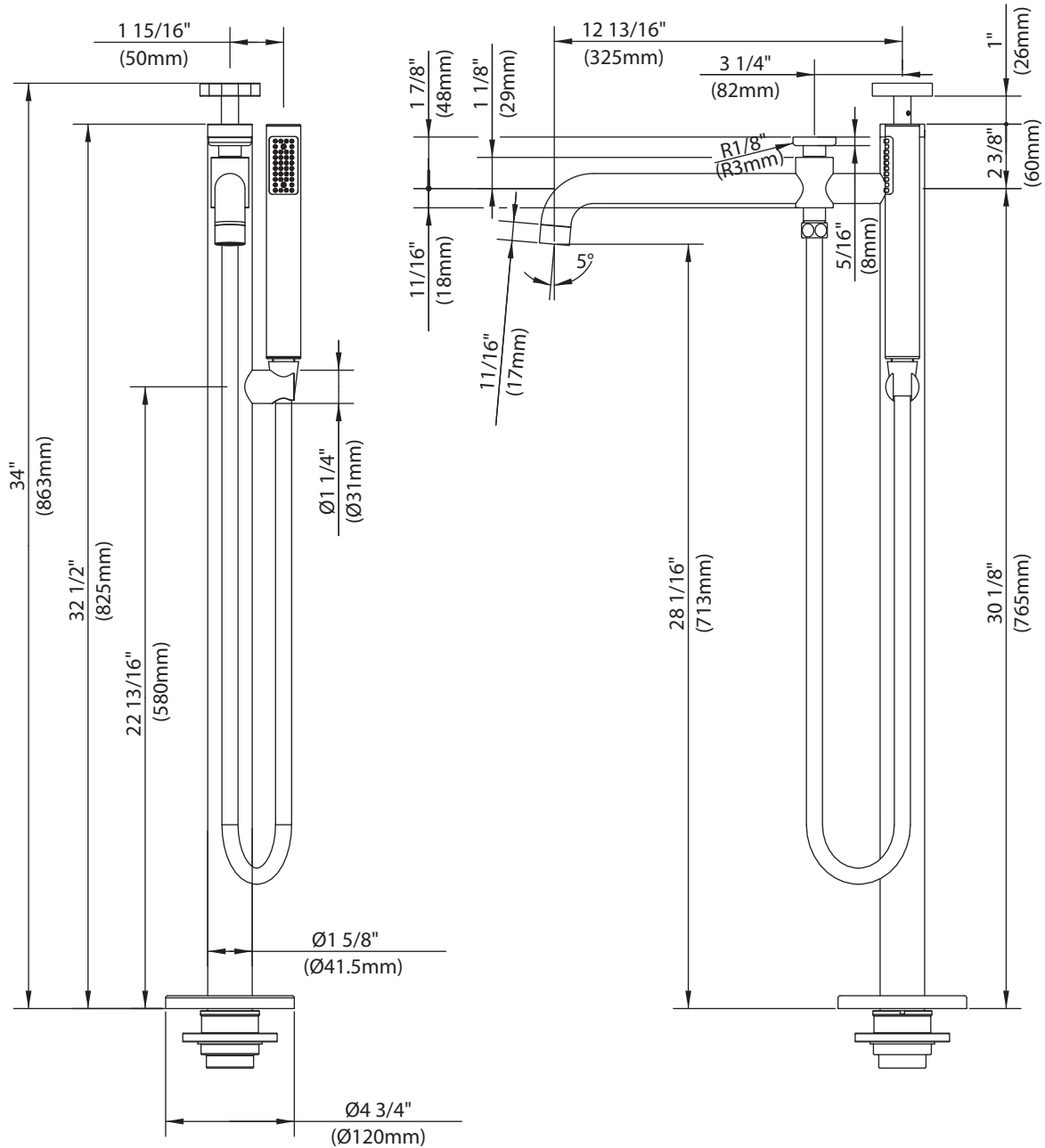
K1-2300

CROSS HANDLE SINGLE-LEG BATH/SHOWER MIXER TRIM ONLY, TO
SUIT K1-4210 ROUGH

DIMENSIONAL DATA SHEET

DATE: 25 MARCH 2014

No: A667241



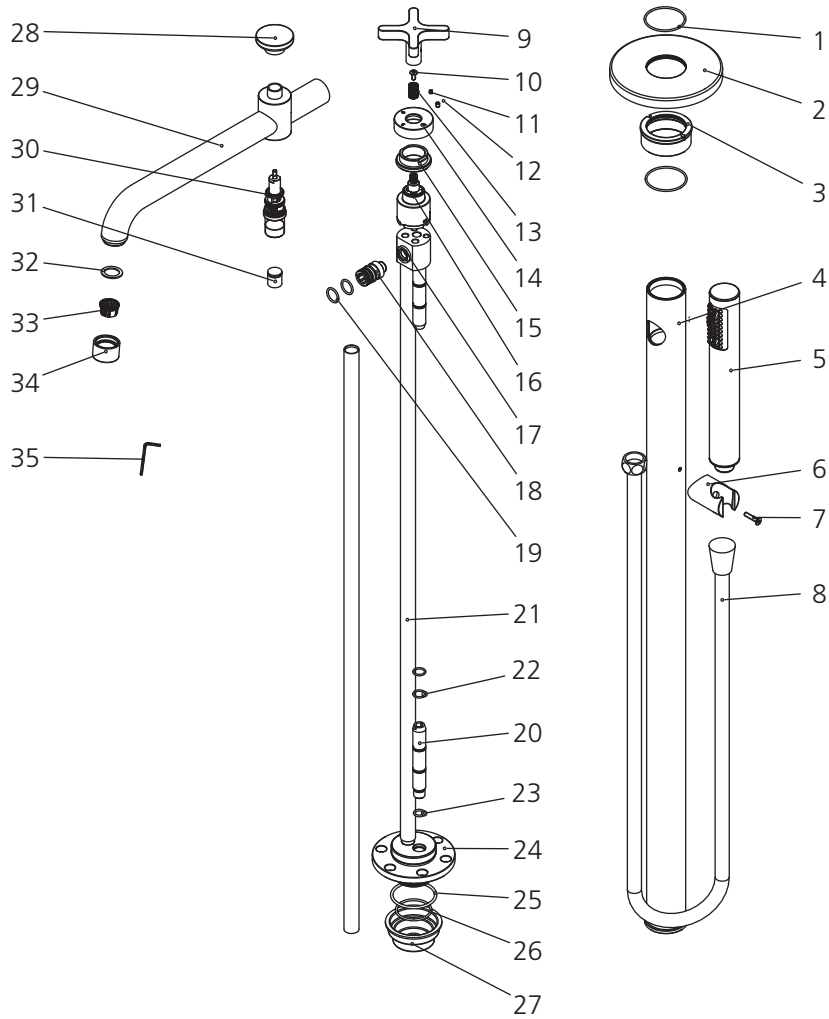
COPYRIGHT © LBIP LTD 2012. ALL RIGHTS RESERVED.

DIMENSIONS IN INCHES & MILLIMETRES

WHILST EVERY EFFORT IS MADE TO ENSURE THE ACCURACY OF THESE DATA SHEETS THEY ARE SUBJECT TO CHANGE WITHOUT NOTICE AS PART OF THE COMPANY'S PRODUCT DEVELOPMENT PROCESS

K1-2300

CROSS HANDLE SINGLE-LEG BATH/SHOWER MIXER TRIM ONLY, TO SUIT K1-4210 ROUGH

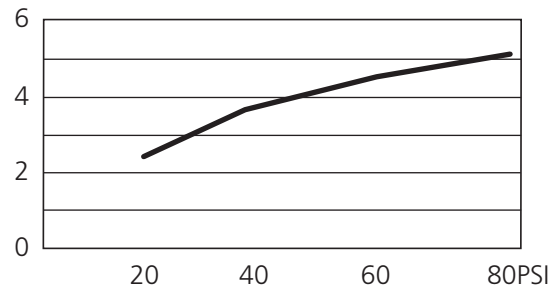


- | | | | | | |
|----|--------------------------|----|-------------------------|----|-----------------------------|
| 1 | O-ring (072014) | 13 | Adapter (057673) | 25 | O-ring (004045N) |
| 2 | Escutcheon (019319) | 14 | Handle Base (215358-51) | 26 | O-ring (072088N) |
| 3 | Nut (009288) | 15 | Adjusting Ring (104257) | 27 | Protective Cap (045247) |
| 4 | Connection Tube (064263) | 16 | Cartridge (507917) | 28 | Button (036270) |
| 5 | Hand shower (S2111104) | 17 | Inside Body (066551) | 29 | Spout Assembly (523835) |
| 6 | Shower bracket (112424) | 18 | Adapter (067927) | 30 | Diverter (501364) |
| 7 | Screw (008734) | 19 | O-ring (072016) | 31 | Backflow Preventer (519208) |
| 8 | Shower hose (105681) | 20 | Internal Pipe (052130) | 32 | Oil seal (010899) |
| 9 | Handle (506079) | 21 | O-ring (048085) | 33 | Aerator insert (114237R) |
| 10 | Screw (065172) | 22 | Adapter (067928) | 34 | Aerator Housing (305781) |
| 11 | Screw (008772) | 23 | O-ring (004509N) | 35 | Allen Key (031003) |
| 12 | Set screw (008191) | 24 | Body (076701) | | |

Standards

IAPMO/cUPC Listed
Meets A112.18.1

Flow Rate



Please note :

Final achievable flow rate is dependent on the outlets fitted, see relevant outlets (spouts, roses, sprays) for fully assembled product flow rate.